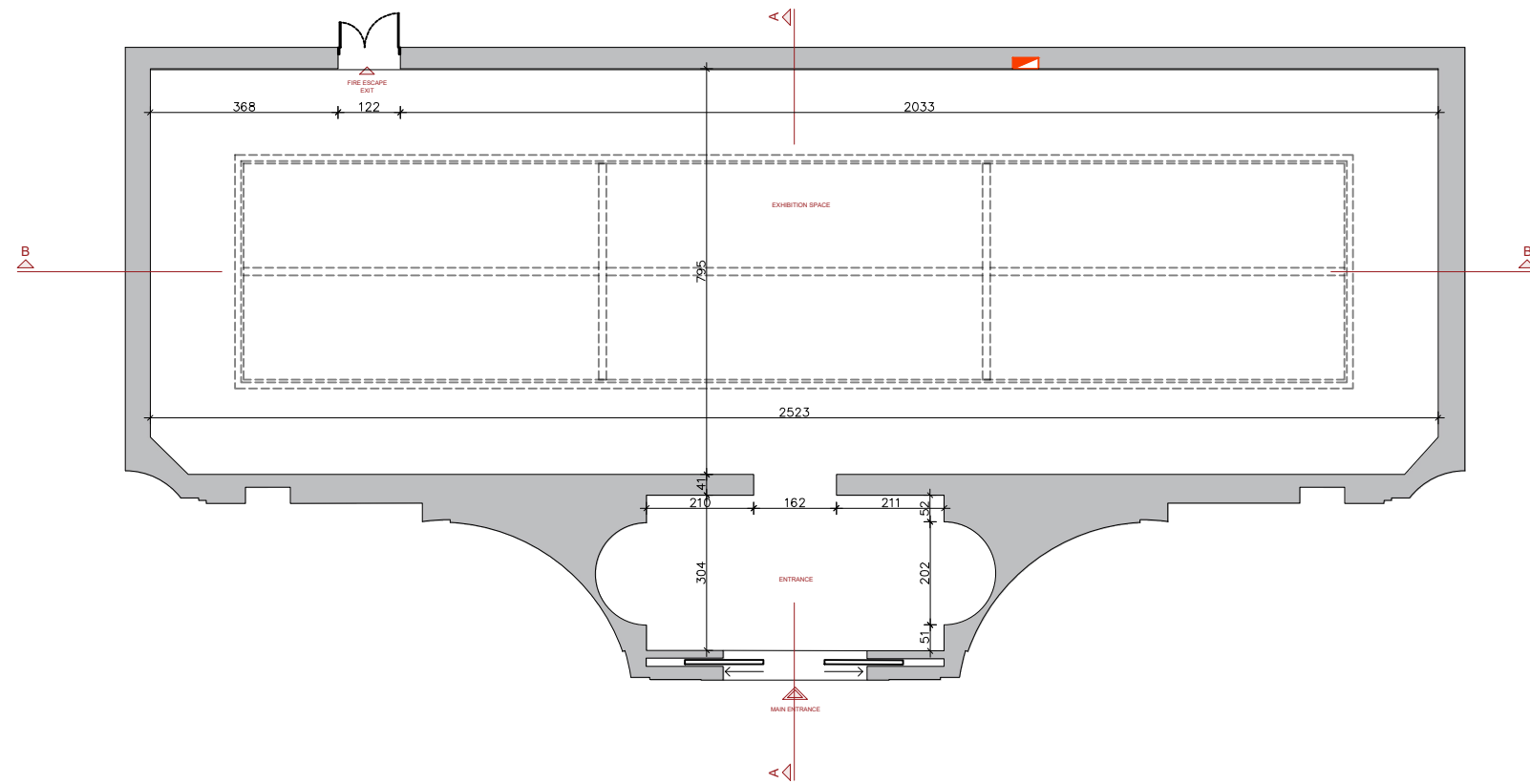
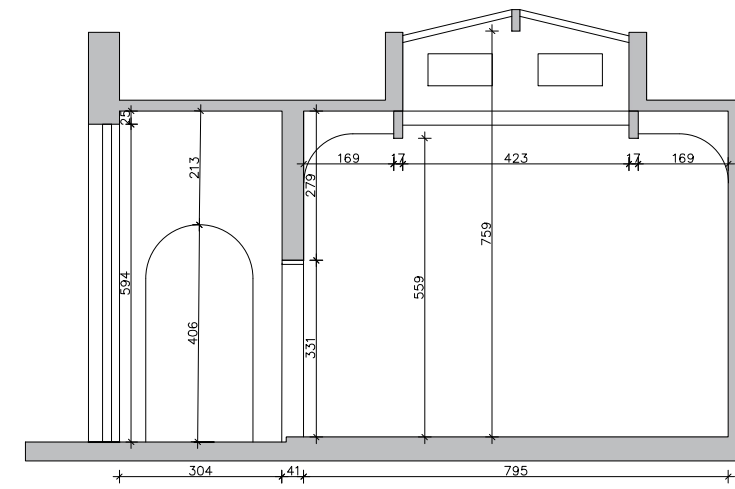


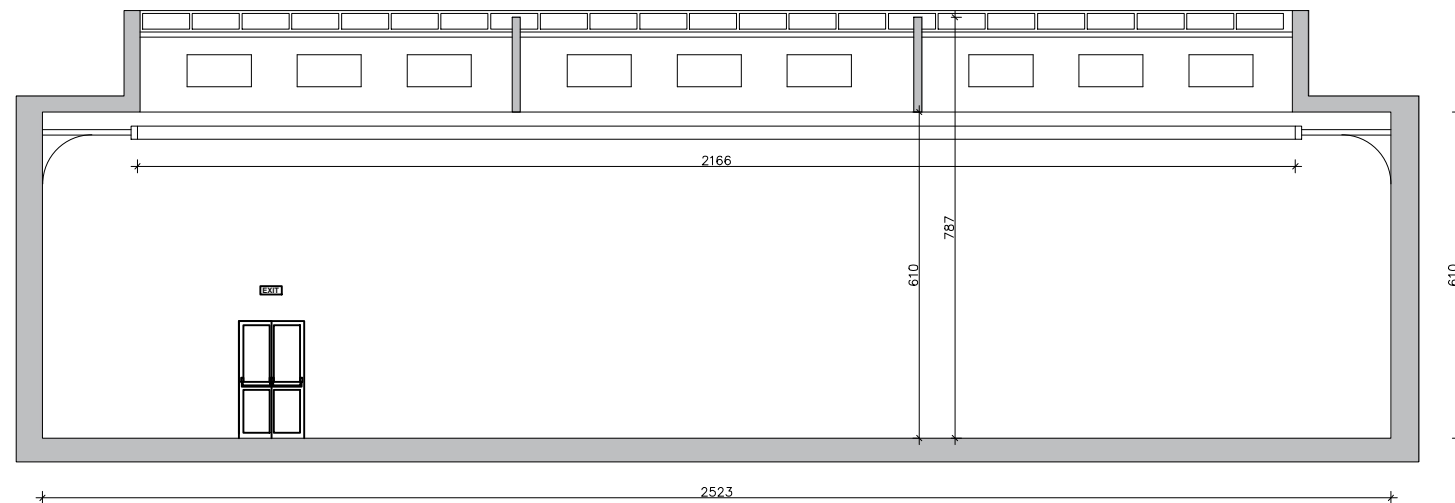
EXISTING FLOOR PLAN



EXISTING SECTION A-A



EXISTING SECTION B-B



KAI Architecture Interiors Design
 Cvjićeva 28/4, 11000 Beograd
 T: +381 637694593;
 E: kai.arhi.dizajn@gmail.com;

CLIENT: MINISTRY OF CULTURE AND INFORMATION

LOCATION: GIARDINI DELLA BIENNALE, VENICE

PROJECT TYPE:

NAME OF THE PROJECT: PAVILION OF THE REPUBLIC OF SERBIA
 61ST INTERNATIONAL ART EXHIBITION

SHEET: EXISTING FLOOR PLAN, SECTION A-A, SECTION B-B

SIZE: 1:100

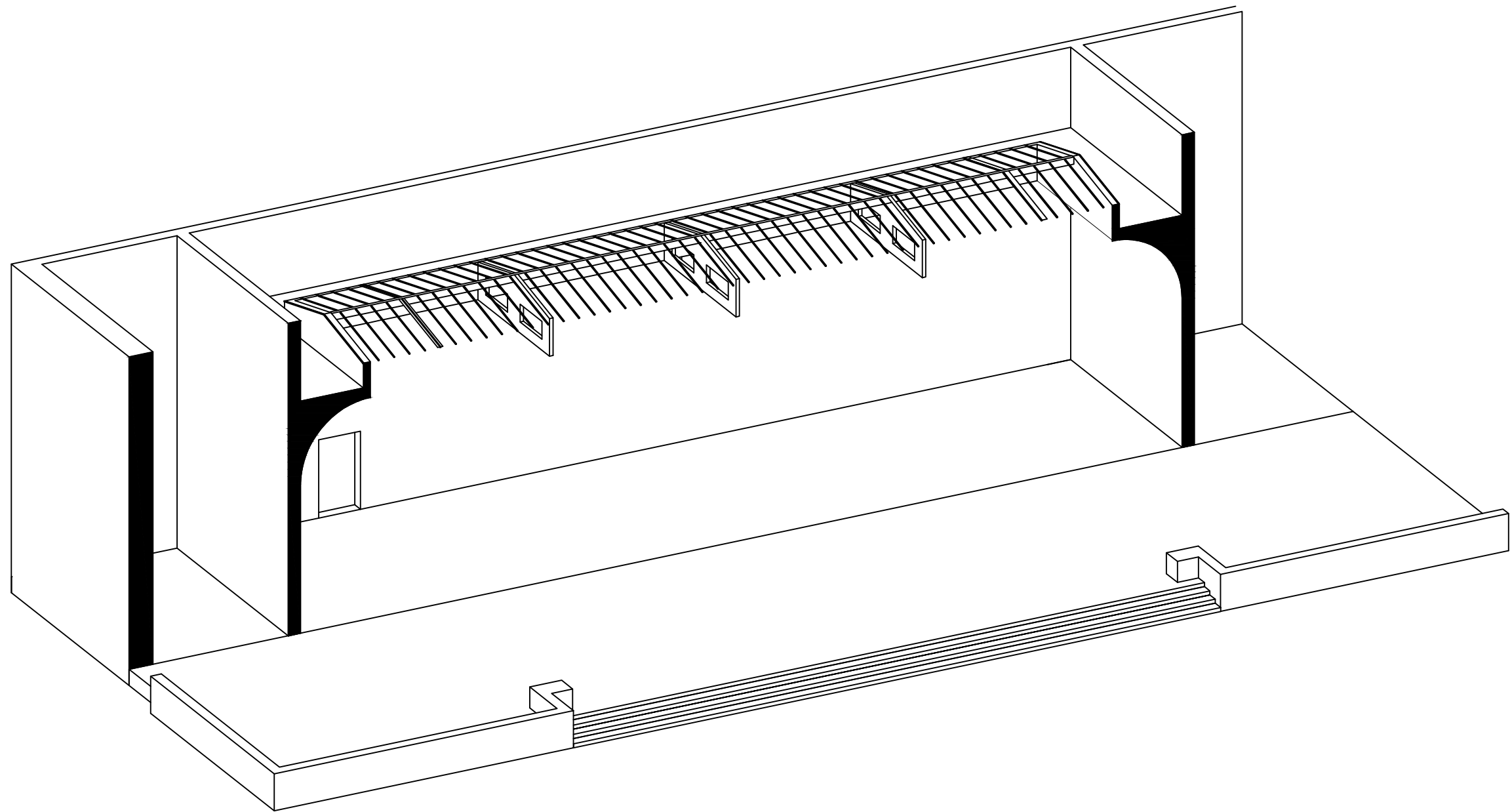
DATE:

SHEET NUMBER:

01

SIGNATURE:

SEAL:



KAI Architecture Interiors Design
 Cvjiceva 28/4, 11000 Beograd
 T: +381 637694593;
 E: kai.arhi.dizajn@gmail.com;

CLIENT: MINISTRY OF CULTURE AND INFORMATION

LOCATION: GIARDINI DELLA BIENNALE, VENICE

PROJECT
 TYPE:

NAME OF THE PROJECT: PAVILION OF THE REPUBLIC OF SERBIA
 61ST INTERNATIONAL ART EXHIBITION

SHEET: EXISTING AXONOMETRIC SECTION

SIZE: 1:100

DATE:

SHEET NUMBER:

SIGNATURE:

SEAL:

01